

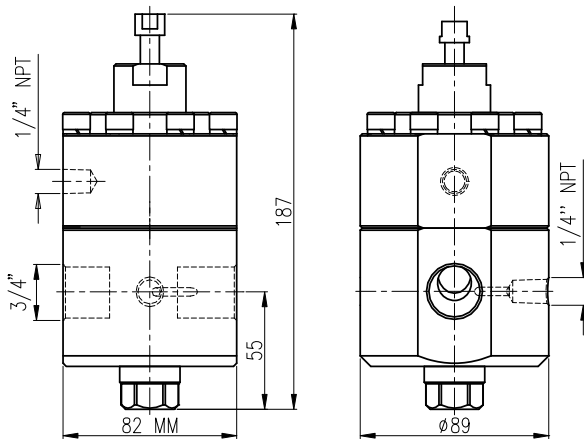
DIFFERENTIAL PRESSURE REGULATOR RD(H)6 DP

GASES • LIQUIDS • ACIDS • OILS



MAIN FEATURES

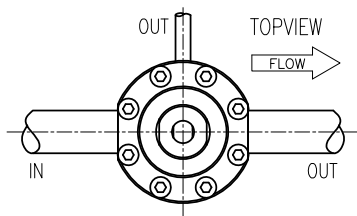
- ss 316L
- adjustable bias
- balanced valve
- Cv 1.95
- bubble tight shut-off
- diaphragm sensing
- 1/4" npt outlet gaugeport
- choice of o-ring materials
- shell design according to EN 12516



CHARACTERISTICS

Inlet pressure	: 70 bar, 400 bar
Outlet ranges	: 0 – 70 bar, 0 – 230 bar
Bias range	: 1 – 10 bar
Ratio dome / outletpressure	: 1:1
Seat diameter	: 10 mm
Cv (Kv)	: 1.95 (1.66)
Materials:	
• Body & Trim	: ss 316L
• Dome	: ss 316L
• Seat insert	: RD6: elastomer RDH6: pctfe, peek
• Seals	: elastomer
Connections:	
• Line	: 3/4" bspp, npt, flanges to DIN / ANSI B16.5
• Dome	: 1/4" npt
• Outlet gauge	: 1/4" npt
Weight	: 4,8 kg (without flanges)
Temperature range:	: -20°C to +80 °C *

PORTING STYLE



CLEANING

This regulator is ultrasonically cleaned and degreased. Cleaning based on ASTM-G93 Level C / CGA 4.1 is optional.

Do not use teflon tape or anaerobic sealing compounds on the bspp threads.

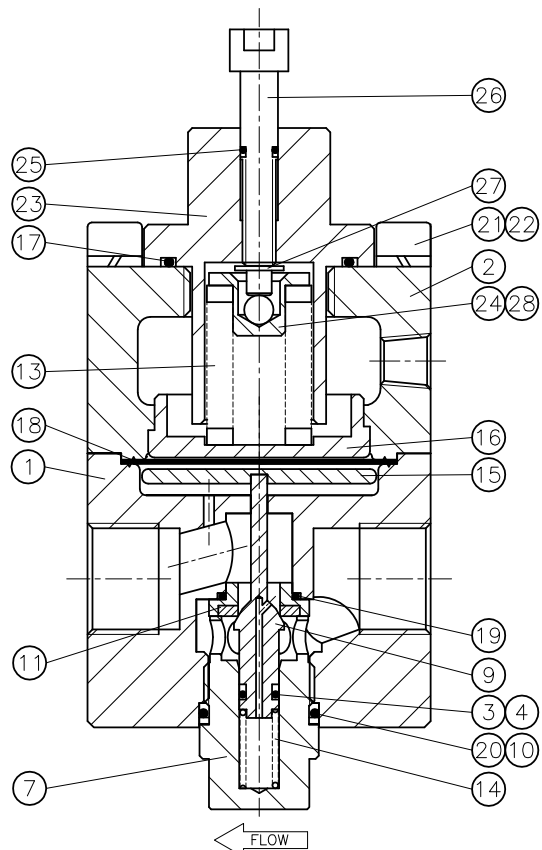
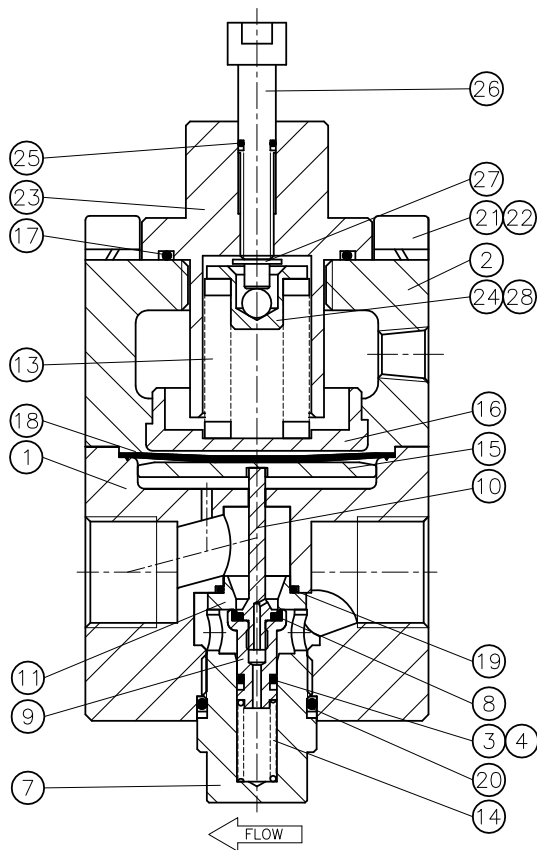
* Actual range depends on choice of seat- and seal material.



Swagelok regulators are not “Safety Accessories” as defined in the Pressure Equipment Directive 97/23/EC:



Do not use the regulator as a shut off device.



GAUGEPORT(S)
standard:



options:



GN2
(not in combination with flanges)



GN4



GN5
(not in combination with flanges)

ORDERING INFORMATION

example: RDHB6-02-NNK-DP2

RDH	B6	- 02	- N	N	K	- DP2		
series / inlet	connection	flange facing*	material	o-rings	diaphragm	seat	differential pressure	options
RD = 70 bar RDH = 400 bar	B6 = 3/4" bspp N6 = 3/4" npt ansi flanges FA6A = 3/4" class 150 FA6B = 3/4" class 300 FA6C = 3/4" class 600 FA6E = 3/4" class 1500 FD6F = 3/4" class 2500 din flanges FD6M = DN20 PN16 FD6N = DN20 PN40 FD6P = DN20 PN64 FD6R = DN20 PN250 FD6S = DN20 PN400	*if flanges are ordered 1 = raised face smooth 3 = RTJ	02 = ss316L	N = nitrile E = epdm V = viton	N = nitrile E = epdm V = viton	RD: N = nitrile E = epdm V = viton RDH: K = pctfe P = peek	DP2 = 1 - 3 bar bias DP3 = 1 - 10 bar bias	G* = gauge port *see gauge port options

Red text identifies an example ordering number.

Safe Product Selection

When selecting a product, the total system design must be considered to ensure safe, trouble-free performance. Function, material compatibility, adequate ratings, proper installation, operation, and maintenance are the responsibilities of the system designer and user.

RHPS, Swagelok—TM Swagelok Company
© 2010 Swagelok Company
Printed in U.S.A., OM
June 2010, R0
MS-02-393-E