

# 4" PILOT-OPERATED PRESSURE REGULATOR RD(H)F40

## 2- PATH CONTROL



### MAIN FEATURES

- ss 316L
- balanced valve
- integral pilot regulator
- 2-path control
- diaphragm sensing
- Cv 73
- bubble tight shut-off
- large dome for improved stability
- shell design according to EN 12516

### CHARACTERISTICS

Inlet pressure:	: RDF40	: 70 bar
	: RDHF40	: 280 bar
Outlet ranges:	: RDF40	: 0 – 70 bar
	: RDHF40	: 0 – 200 bar

Ratio dome / outlet pressure	: 1:1
Seat diameter	: 60 mm
Cv (Kv)	: 73 (62)

#### Materials:

- Body, Dome, Trim : ss 316L
- Seat insert : elastomer
- Seals, Diaphragm : elastomer

#### Connections:

- Line : flanges to DIN / ANSI B16.5
- Weight : 83 kg (with 4" 150# flanges)  
Temperature range : -20°C to + 80°C\*

### IMPROVED PERFORMANCE

To reduce droop, we advise to use:

- an [external feedback](#) (when P2 ≤ 20 bar)

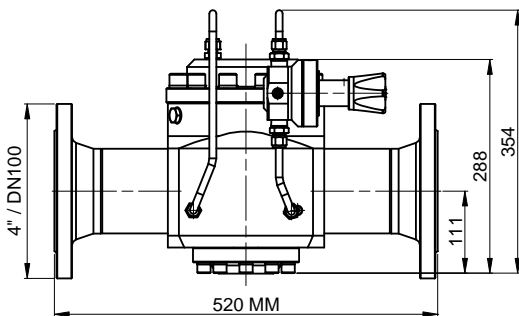
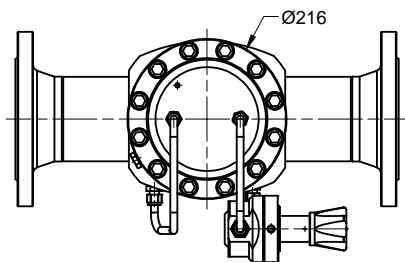
### CLEANING

This regulator is ultrasonically cleaned and degreased.  
Cleaning based on  
ASTM-G93 Level C / CGA 4.1 is optional.

### INSTALLATION

This regulator is always equipped with a pilot regulator.

\* Actual range depends on choice of seat and seal material.



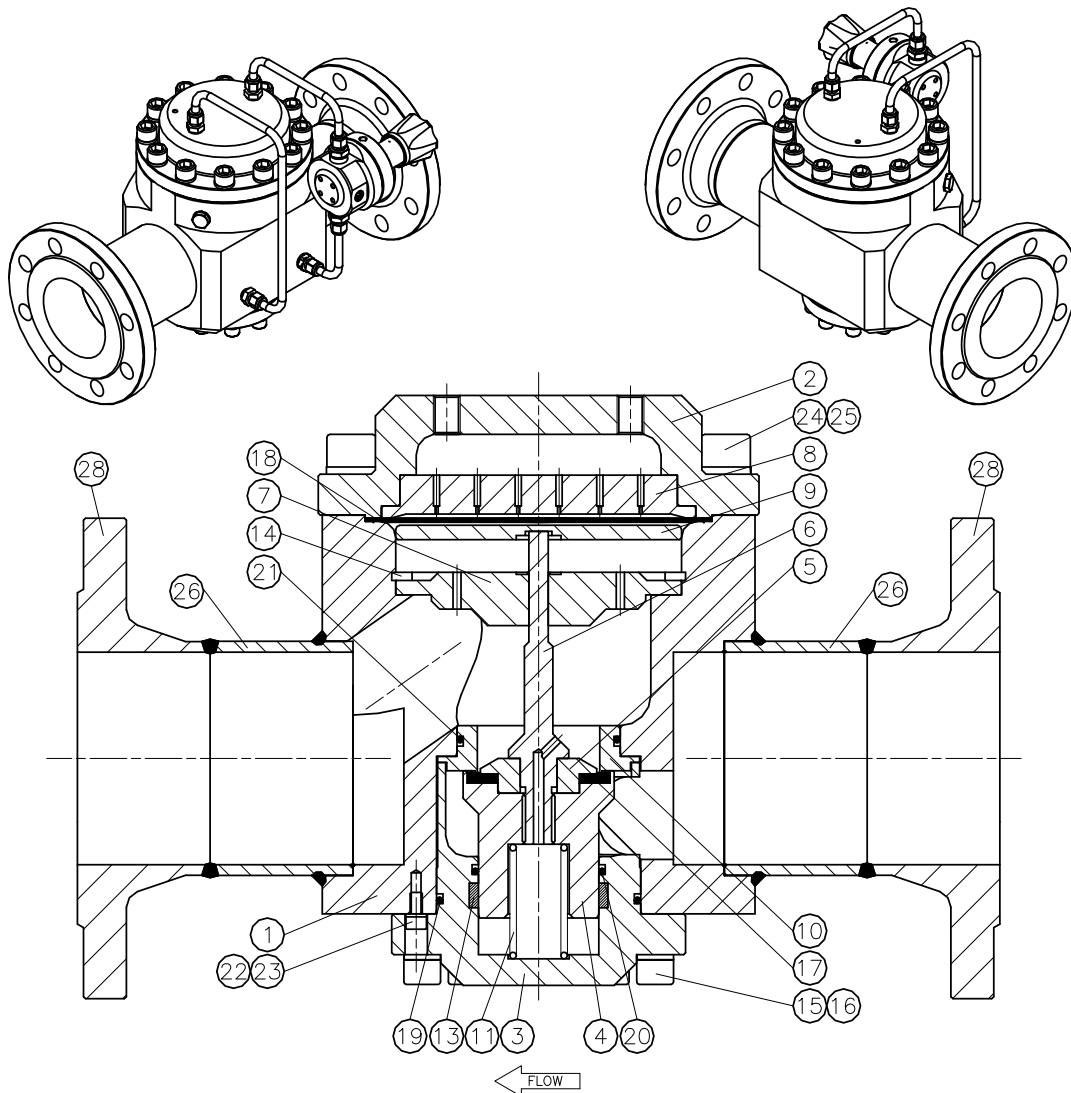
Swagelok regulators are not "Safety Accessories" as defined in the Pressure Equipment Directive 97/23/EC:



Do not use the regulator as a shut off device.

RHPS Series

Swagelok



**GAUGEPORTS**

If gauges are required use gaugeport(s) of pilotregulator.

**ORDERING INFORMATION**

example: RDFA40A1-02-3-NNN-EF

RD	FA40A	1	- 02	- 3	- N	N	N	- EF
series / inlet	connection	flange facing*	material	outlet range	o-rings	diaphragm	seat	options
RD = 70 bar RDH = 280 bar	ansi flanges FA40A = 4" class 150 FA40B = 4" class 300 FA40C = 4" class 600 FA40E = 4" class 1500 FA40F = 4" class 2500  din flanges FD40M = DN100 PN16 FD40N = DN100 PN40 FD40P = DN100 PN64 FD40R = DN100 PN250 FD40S = DN100 PN400	*if flanges are ordered 1 = raised face smooth 3 = RTJ	02 = ss316L	RD: 0 = 0 - 3 bar 1 = 0 - 9 bar 2 = 0 - 20 bar 3 = 0 - 70 bar  RDH: 4 = 0 - 10 bar 5 = 0 - 25 bar 6 = 0 - 100 bar 7 = 0 - 175 bar 8 = 0 - 200 bar	N = nitrile E = epdm V = viton	N = nitrile E = epdm V = viton	RD: N = nitrile E = epdm V = viton  RDH: to be advised	EF = external feedback

Red text identifies an example ordering number.

**Safe Product Selection**  
When selecting a product, the total system design must be considered to ensure safe, trouble-free performance. Function, material compatibility, adequate ratings, proper installation, operation, and maintenance are the responsibilities of the system designer and user.

RHPS, Swagelok—TM Swagelok Company  
© 2010 Swagelok Company  
Printed in U.S.A., OM  
June 2010, R0  
MS-02-400-E