

MINI DOMELOADED PRESSURE REGULATOR RD2

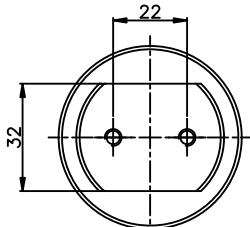
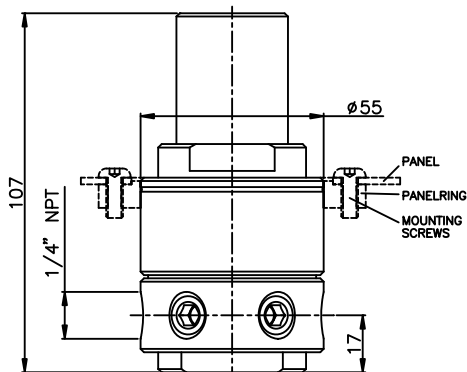
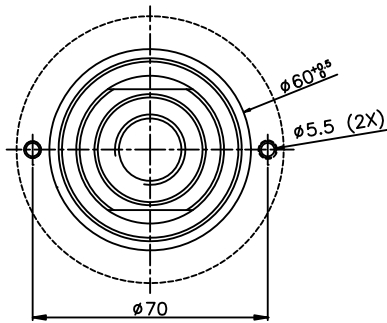
LOW FLOW • COMPACT • ECONOMICAL



MAIN FEATURES

- ss 316L
- integral 25 µm filter
- unbalanced valve
- piston sensing
- bubble tight shut-off
- bottom mounting
- cartridge valve assembly
- shell design according to EN 12516

PANELMOUNTING HOLES:
- 2X Ø5.5, FOR M5 SCREWS
- 1X Ø60, FOR PANELRING



BOTTOMMOUNTING HOLES
2X M5, 5MM THREAD

CHARACTERISTICS

| | |
|-----------------------|------------------|
| Inlet pressure | : 400 bar |
| Outlet pressure range | : 0 - 400 bar |
| Seat diameter | : 2.2 mm |
| Cv (Kv) | : 0.05 (0.043) |
| Materials: | |
| • Body, Trim, Dome | : ss 316L |
| • Seat | : pctfe |
| • Seals | : elastomer |
| Connections: | |
| • Line | : 1/4" npt |
| • Dome | : 1/8" npt |
| • Gauge ports | : 2x 1/4" npt |
| Weight | : 1,4 kg |
| Temperature range | : -20°C to +80°C |

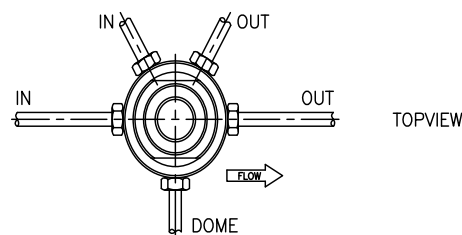
PANELMOUNTING

No disassembly required placing the RD2 regulator in a panel. (To be ordered separately).

CLEANING

This regulator is ultrasonically cleaned and degreased. Cleaning based on ASTM-G93 Level C / CGA 4.1 is optional.

PORTING STYLE

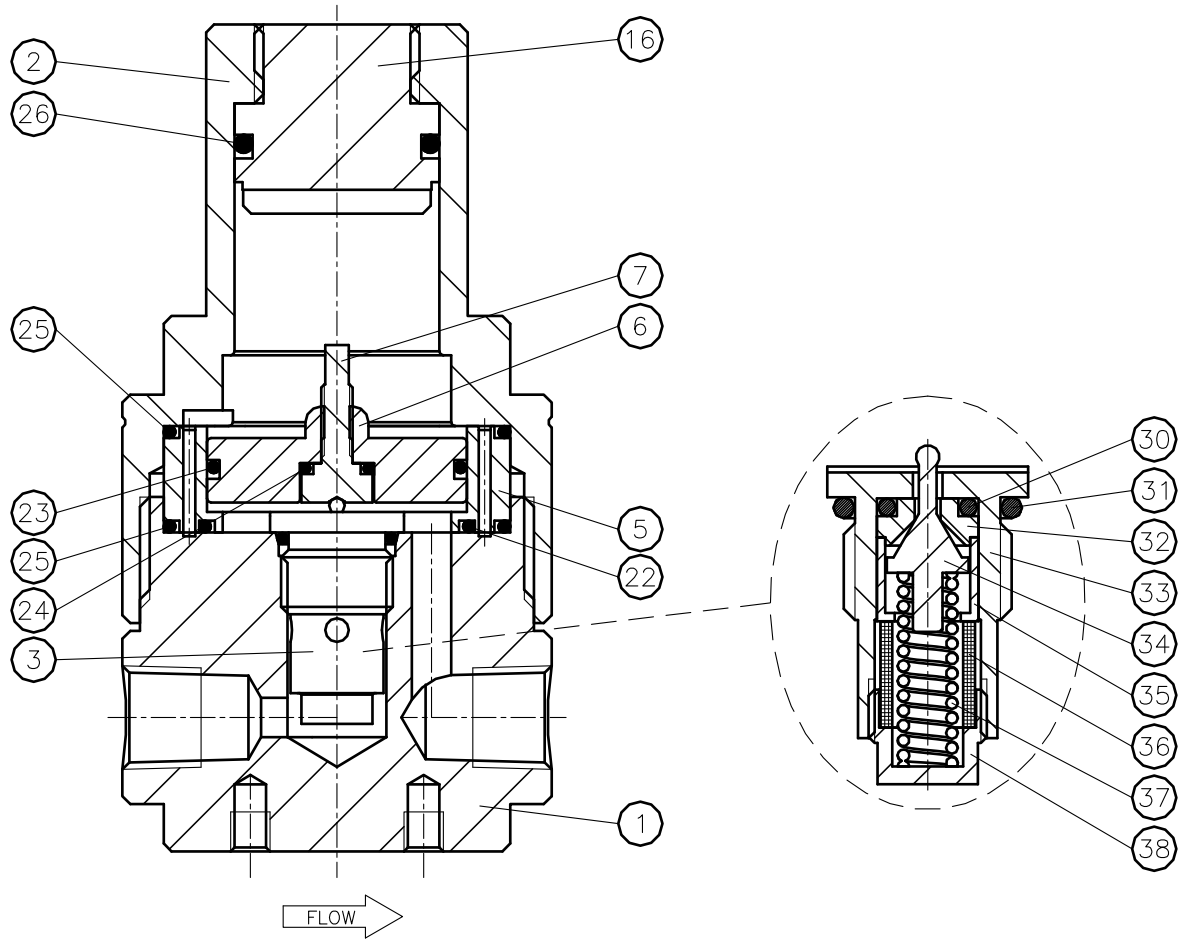


⚠ Swagelok regulators are not "Safety Accessories" as defined in the Pressure Equipment Directive 97/23/EC:

⚠ Do not use the regulator as a shut off device.

RHPS Series

Swagelok



SERVICE-MAINTENANCE

The factory assembled and tested valve cartridge provides “plug and play” in-field service

ORDERING INFORMATION

example: RDN2-02-VVK-L

| RD | N2 | - 02 | - V | V | K | - L |
|----------------|---------------|-------------|--|--|--|---------------------------|
| series / inlet | connection | material | o-rings | piston o-rings | seat | options |
| RD = 400 bar | N2 = 1/4" npt | 02 = ss316L | V = viton <i>Options:</i> N = nitrile E = epdm F = fflkm | V = viton <i>Options:</i> N = nitrile E = epdm F = fflkm | K = pctfe <i>Options:</i> P = peek | L = no filter N = nace |

Red text identifies an example ordering number.

Safe Product Selection

When selecting a product, the total system design must be considered to ensure safe, trouble-free performance. Function, material compatibility, adequate ratings, proper installation, operation, and maintenance are the responsibilities of the system designer and user

RHPS, Swagelok—TM Swagelok Company
 © 2010 Swagelok Company
 Printed in U.S.A., OM
 June 2010, R0
 MS-02-391-E