

HIGH FLOW PRESSURE REGULATOR RS(H)15

HIGH ACCURACY • BALANCED VALVE

For medium and high pressures



MAIN FEATURES

- ss 316L
- diaphragm or piston sensing
- balanced valve
- high flow
- Cv 7.3
- bubble tight shut-off
- shell design according to EN 12516

CHARACTERISTICS

Inlet pressure : 70 bar, 400 bar

Outlet ranges:

- Diaphragm sensing : 0 – 20 bar
- Piston sensing : 0 – 250 bar

Seat diameter : 19 mm

Cv (Kv) : 7.3 (6.3)

Materials:

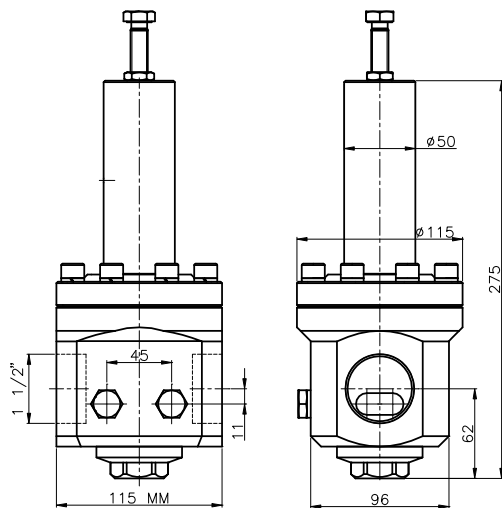
- Body & Trim : ss 316L
- Springhousing : ss 316L
- Seat insert : RS15: elastomer
: RSH15: pctfe, peek
- Seals & Diaphragm : elastomer

Connections:

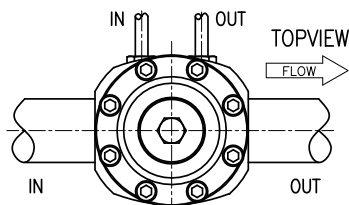
- Line : 1½" bspp, npt
flanges to DIN / ANSI
B16.5

• Gaugeports : 2x ¼" npt
Weight : 10 kg (without flanges)

Temperature range : -20°C to +80°C *



PORTING STYLE



CLEANING

This regulator is ultrasonically cleaned and degreased. Cleaning based on ASTM-G93 Level C / CGA 4.1 is optional.

Do not use teflon tape or anaerobic sealing compounds on the bspp threads.

* Actual range depends on choice of seat- and seal material.

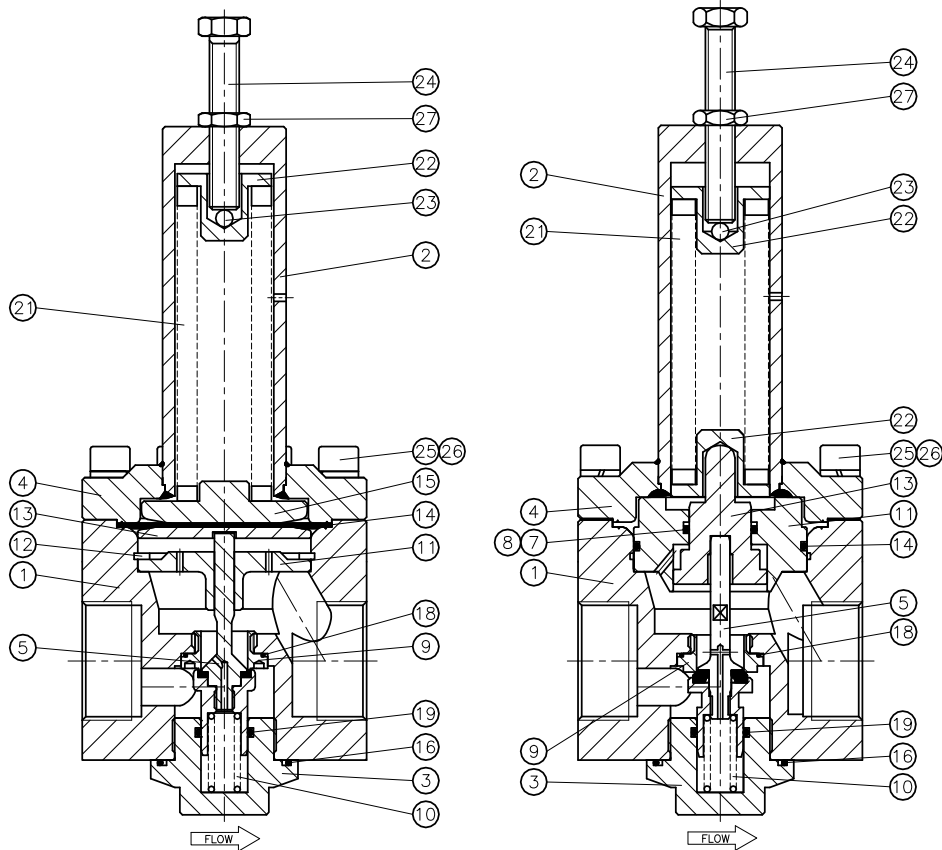


Swagelok regulators are not "Safety Accessories" as defined in the Pressure Equipment Directive 97/23/EC:

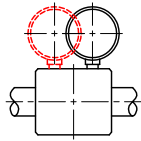


Do not use the regulator as a shut off device.

RHPS Series



GAUGEPORT(S)
standard:



Only one gauge Ø63 fits directly into the body.

ORDERING INFORMATION
example: RSHB15-02-4-NNK

RSH	B15	- 02	- 4	- N	N	K	
series / inlet	connection	flange facing*	material	outlet range	o-rings	diaphragm	seat
RS = 70 bar RSH = 400 bar* * Downstream side 250 bar design pressure	B15 = 1½" bsp N15 = 1½" npt ansi flanges FA15A = 1½" Class 150 FA15B = 1½" Class 300 FA15C = 1½" Class 600 FA15E = 1½" Class 1500 FA15F = 1½" Class 2500 din flanges FD15M = DN40 PN16 FD15N = DN40 PN40 FD15P = DN40 PN64 FD15R = DN40 PN250 FD15S = DN40 PN400	*if flanges are ordered 1 = raised face smooth 3 = RTJ	02 = ss316L	RS: <i>diaphragm sensing:</i> 1 = 0 – 3 bar 2 = 0 – 5 bar 3 = 0 – 10 bar 4 = 0 – 20 bar <i>piston sensing:</i> 5 = 0 – 40 bar RSH: <i>diaphragm sensing:</i> 1 = 0 – 3 bar 2 = 0 – 5 bar 3 = 0 – 10 bar 4 = 0 – 20 bar <i>piston sensing:</i> 5 = 0 – 40 bar 6 = 0 – 100 bar 7 = 0 – 180 bar 8 = 0 – 250 bar	N = nitrile E = epdm V = viton	N = nitrile E = epdm V = viton <i>Piston o-rings</i> N = nitrile E = epdm V = viton	RS: N = nitrile E = epdm V = viton RSH: K = pctfe P = peek

Red text identifies an example ordering number.

Safe Product Selection

When selecting a product, the total system design must be considered to ensure safe, trouble-free performance. Function, material compatibility, adequate ratings, proper installation, operation, and maintenance are the responsibilities of the system designer and user.

RHPS, Swagelok—TM Swagelok Company
 © 2010 Swagelok Company
 Printed in U.S.A., OM
 June 2010, R0
 MS-02-386-E